

FILE: J:\ENG\PROD-DOC\RL\RL

INDUCTANCE

0.015 mH

WEIGHT

140 Lbs.

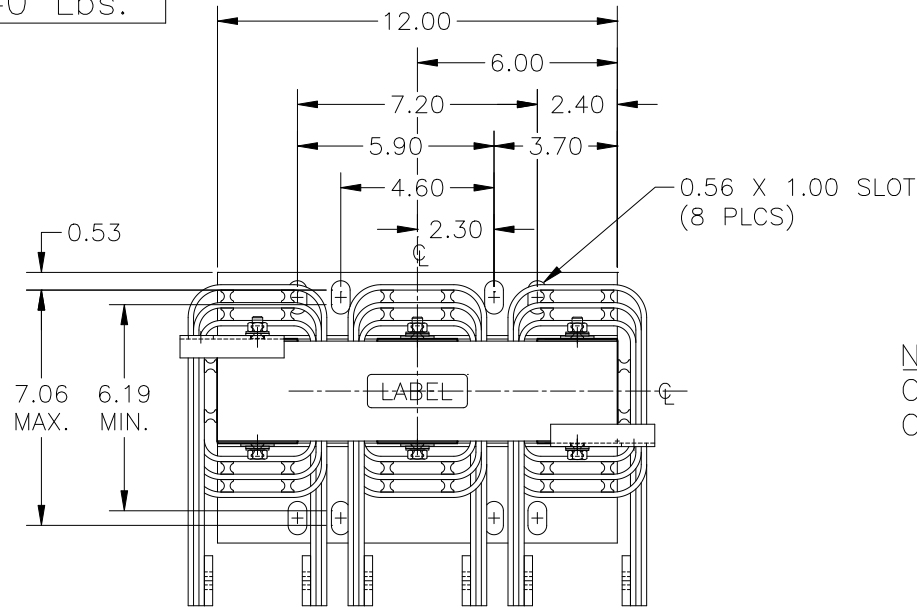
NO.

CHANGE DESCRIPTION

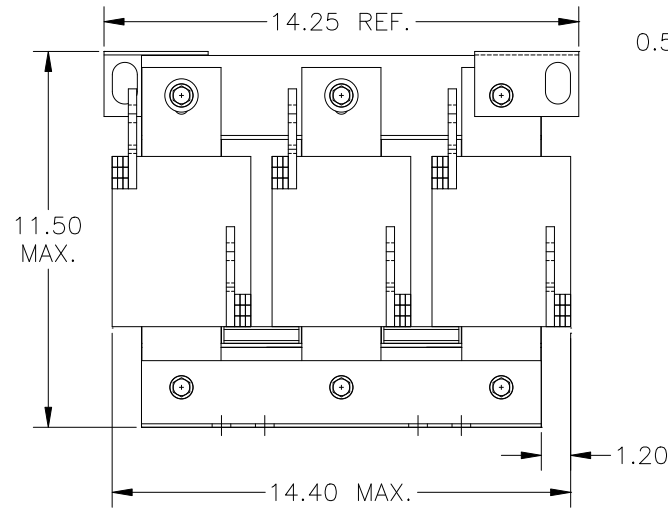
BY

DATE

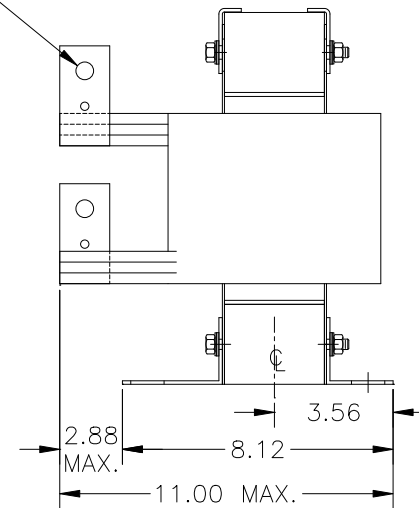
C'K'D



NOTE:
CENTER LINES REPRESENT CENTER
OF REACTOR CORE



0.531 DIA. HOLE
(6 PLCS)



UNLESS OTHERWISE SPECIFIED, DIMENSIONS ARE IN INCHES
AND TOLERANCES ARE:

DECI. FRAC.

ANGLES DRILLED HOLES

PART NAME: 3 PHASE REACTOR

DESCRIPTION: OUTLINE DIMENSION

FINISH:

MTE CORPORATION
MENOMONEE FALLS, WISCONSIN

RL-75001

REV.
09

SCALE NTS DATE 9/28/05 C'K'D

REF. DR. BY MDG APP'D